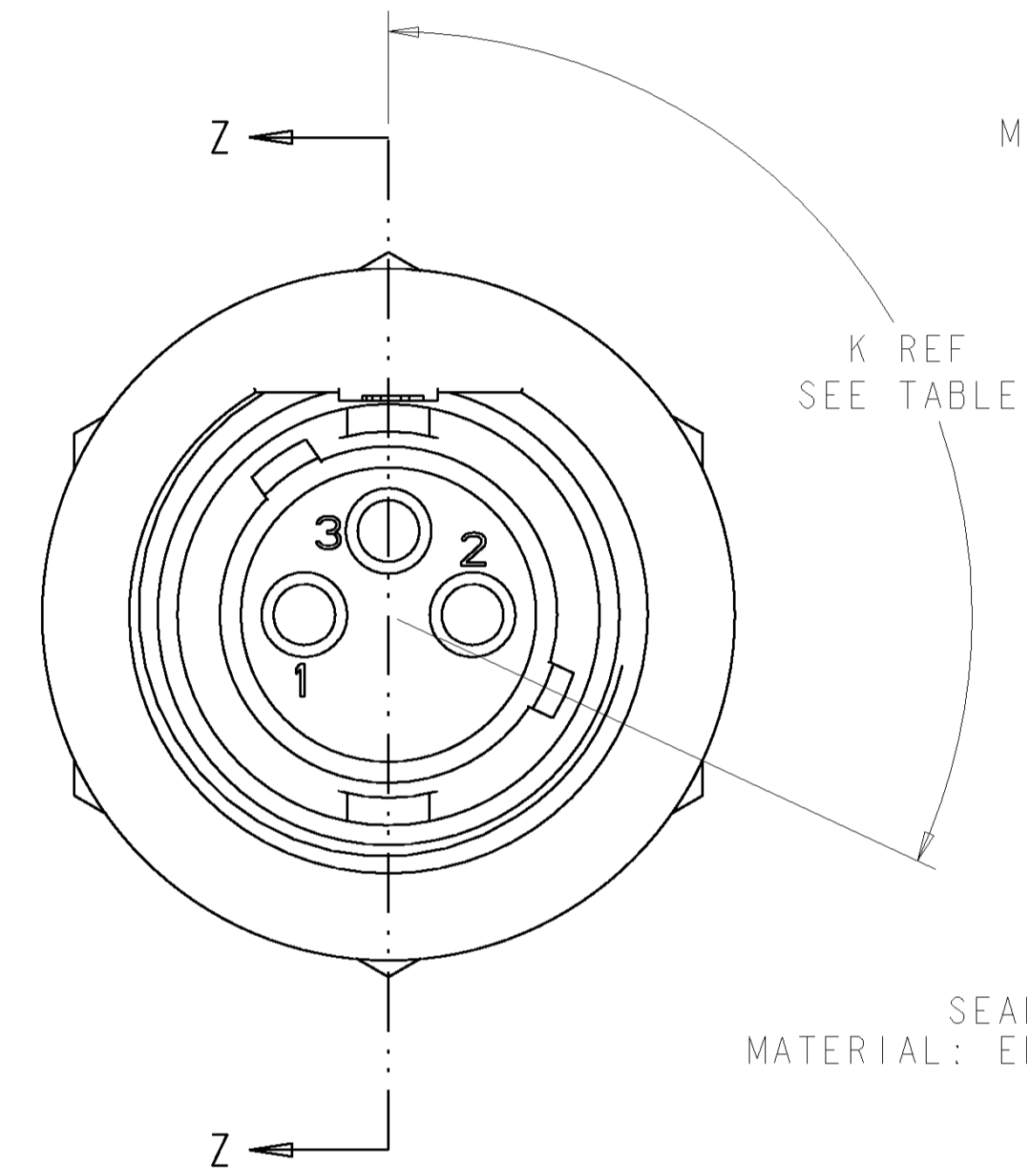
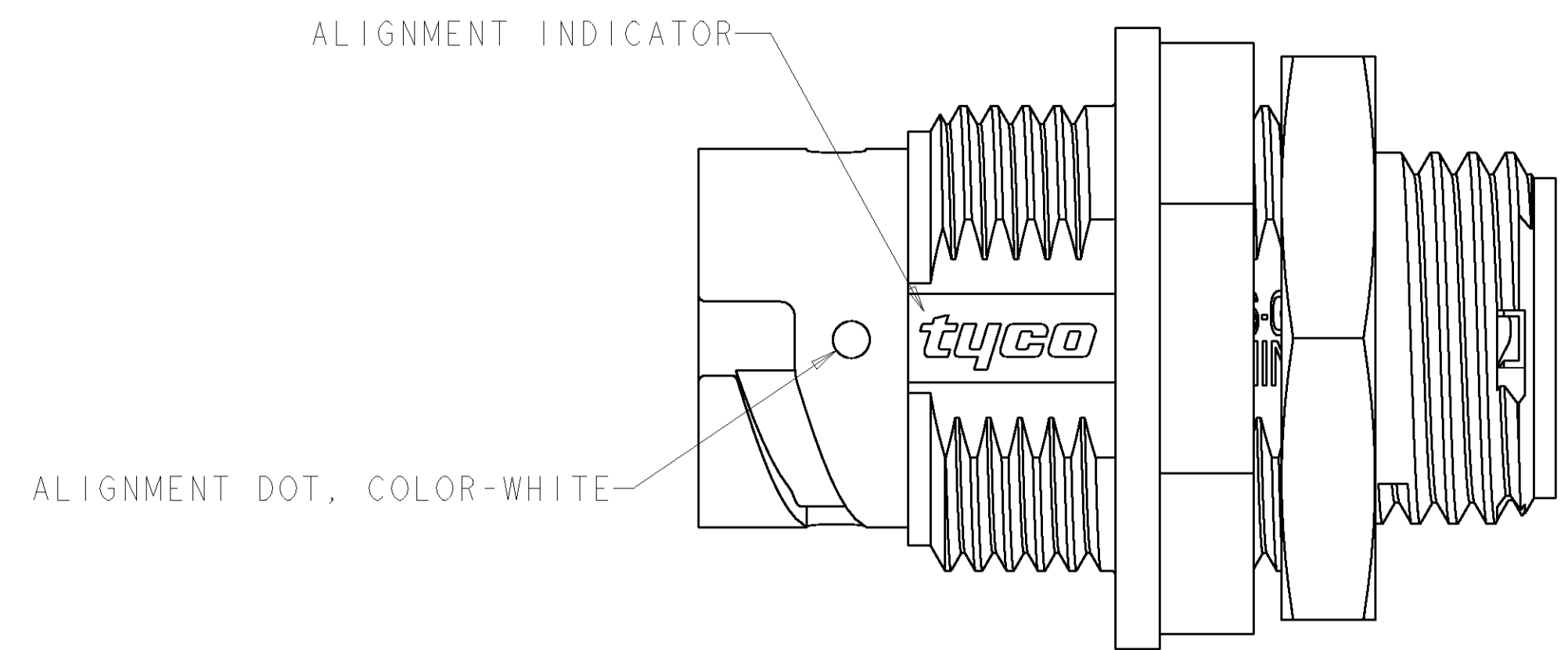
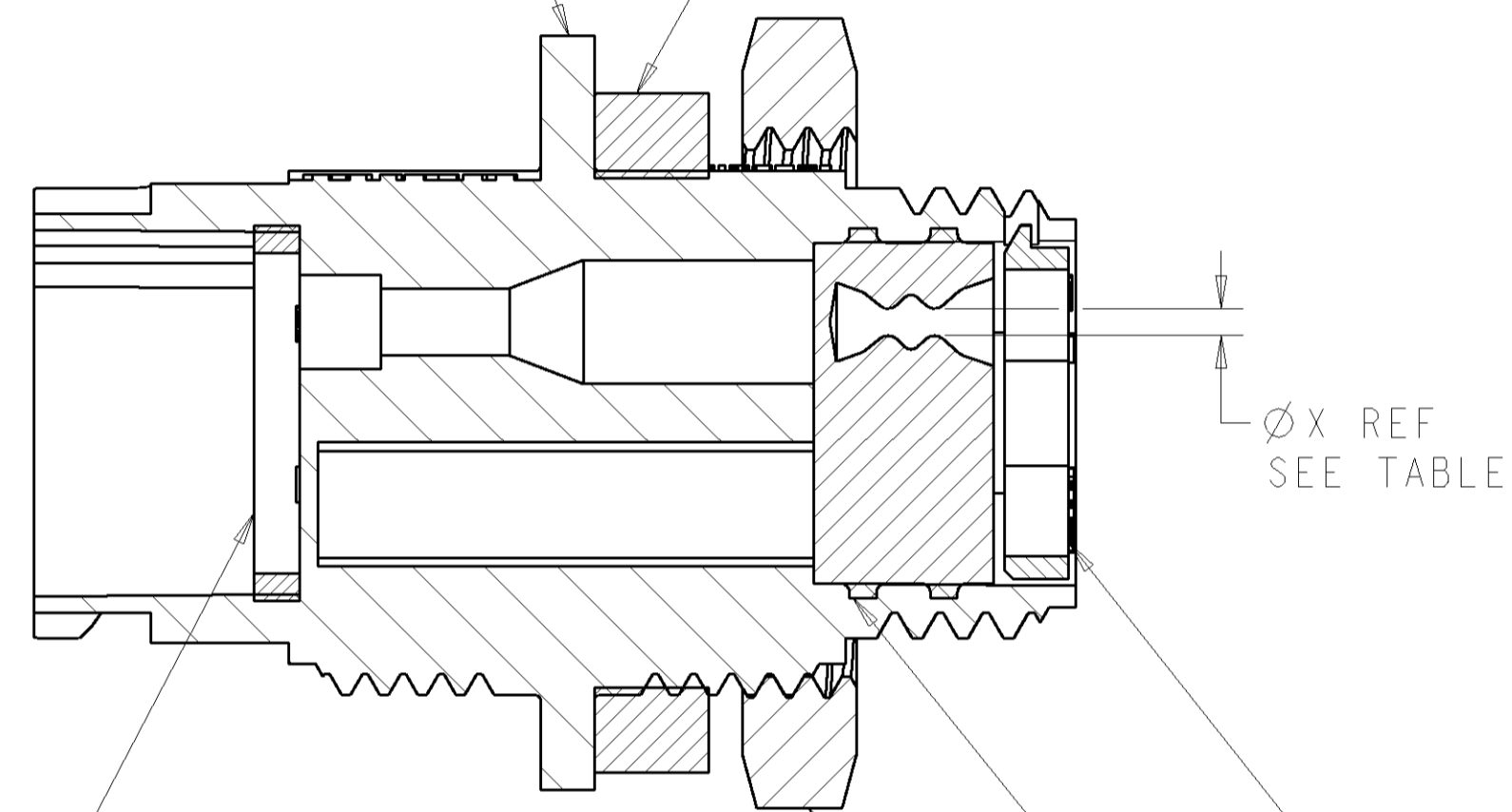


LOC	DIST	REVISIONS					
FT	0	P	LTR	DESCRIPTION	DATE	DWN	APVD
		A		RELEASED EC 0638-0326-03	13JUN2003	SW	HW
		B		REVISED EC 0638-0390-04	24MAY2004	SW	HW



HOUSING, RECEPTACLE, QTY-1
 MATERIAL: THERMOPLASTIC, COLOR-BLACK

SEAL, PANEL; SHOWN FOR REFERENCE ONLY, TO BE ORDERED SEPARATELY, PART #1445420-01.

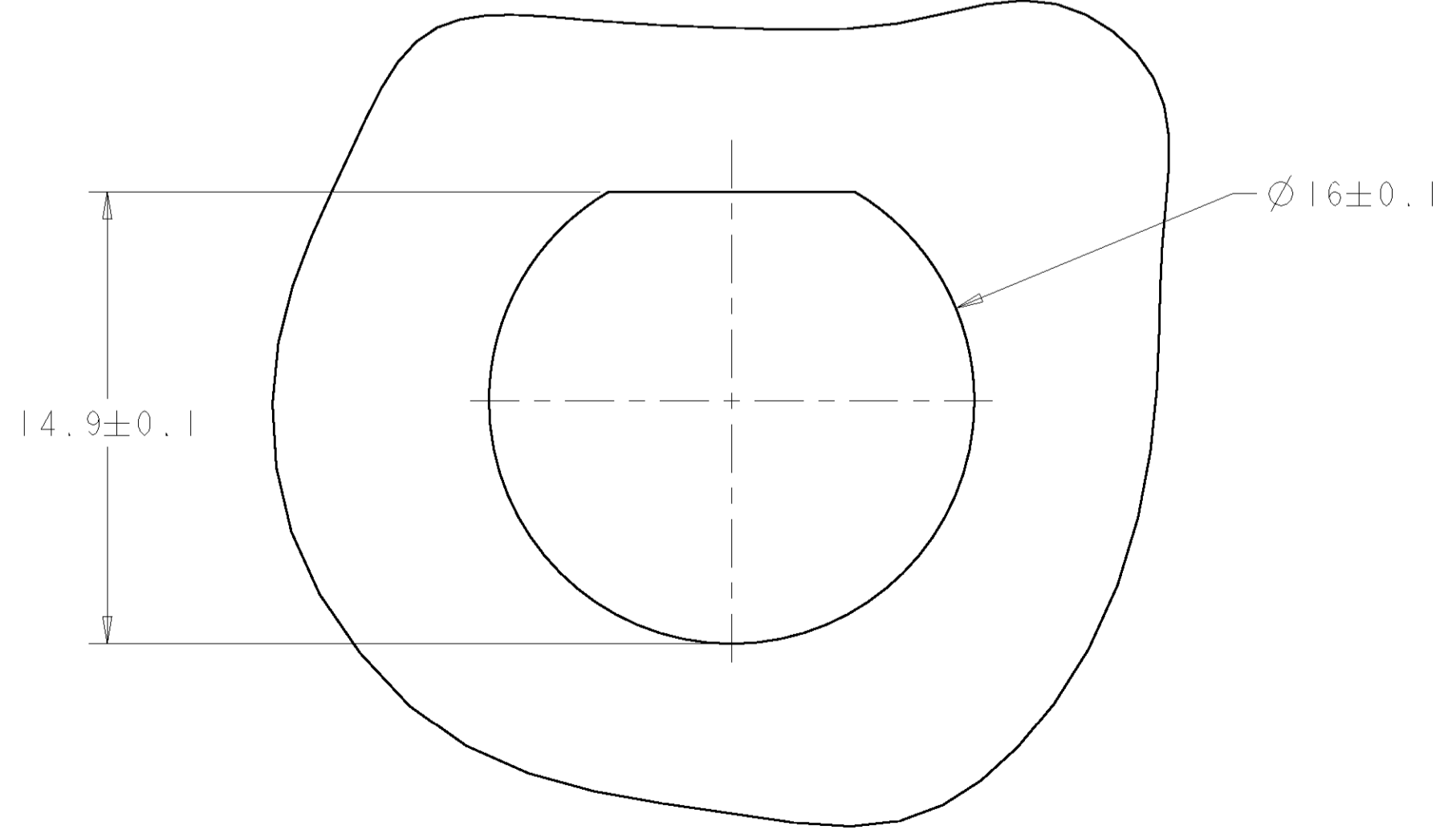
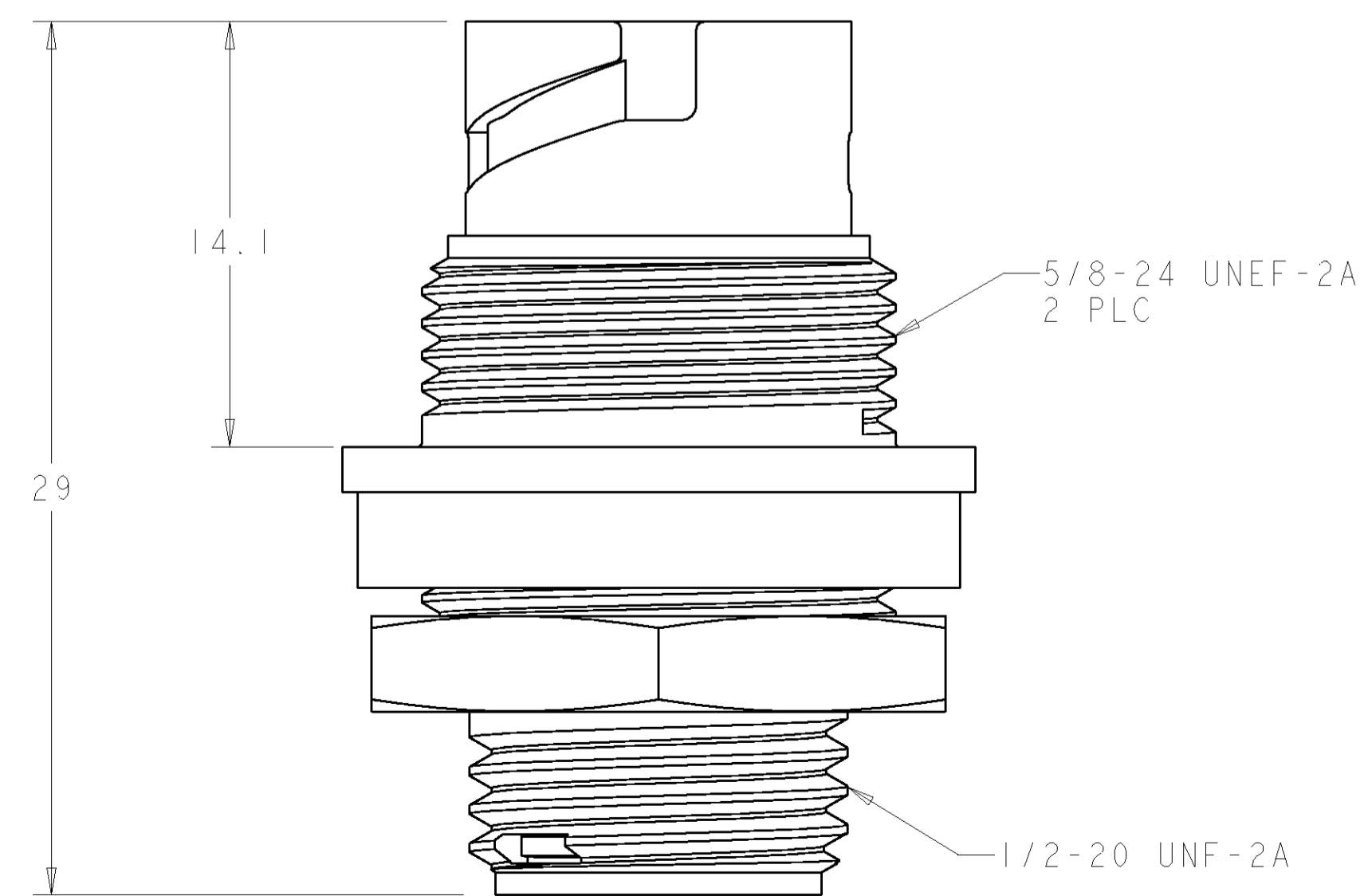
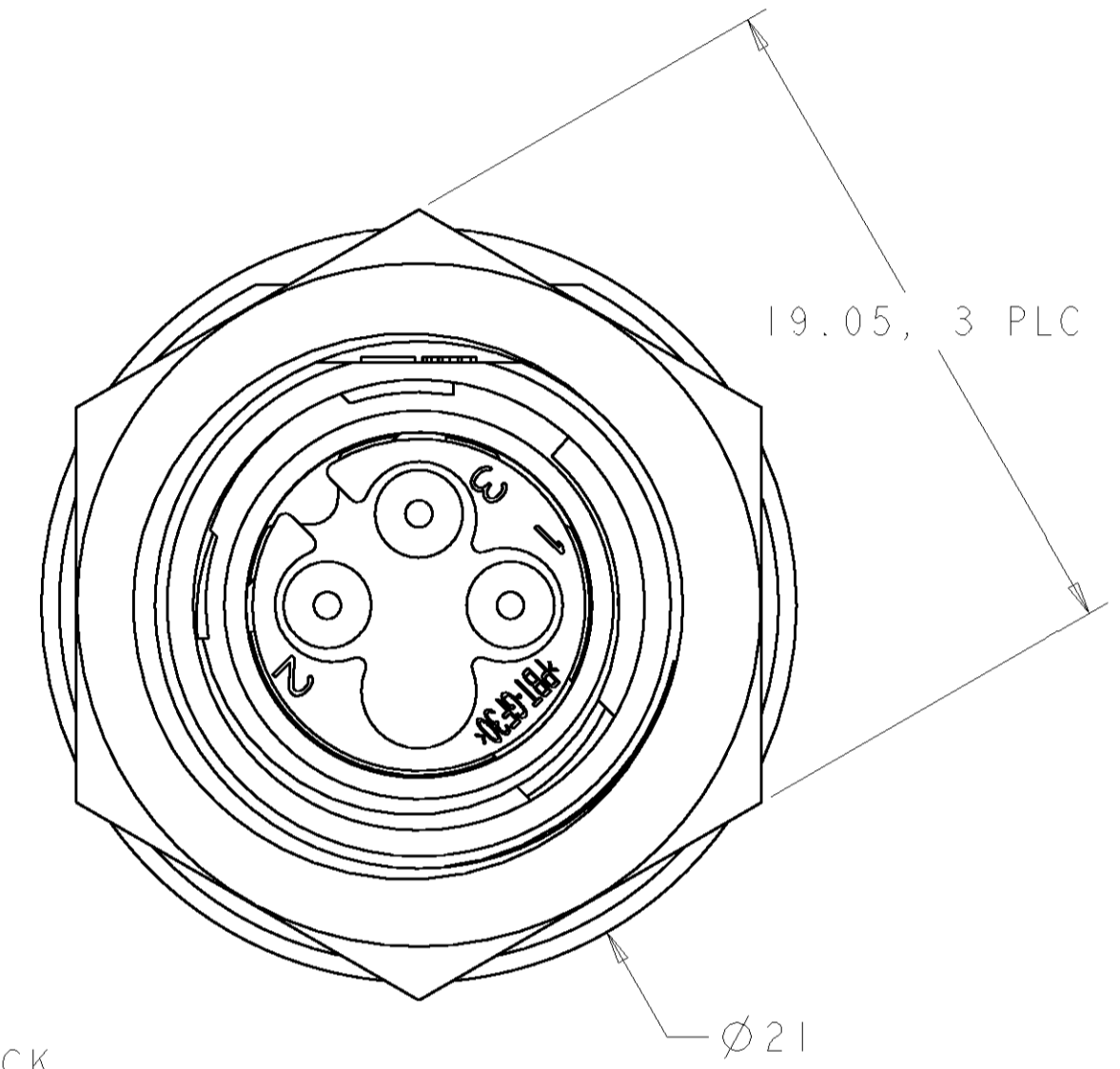


SEAL, PERIPHERAL, QTY-1
 MATERIAL: ELASTOMER, COLOR-GRAY

PLATE, SEAL, RETENTION, QTY-1
 MATERIAL: THERMOPLASTIC, COLOR-BLACK

SEAL, WIRE ENTRY, QTY-1
 MATERIAL: ELASTOMER, COLOR-SEE TABLE

JAM NUT, SHOWN FOR REFERENCE ONLY, TO BE ORDERED SEPARATELY, PART # 1604196-1



SUGGESTED PANEL CUTOUT

1. CONNECTOR CAN BE FRONT OR REAR PANEL MOUNTED.
 △ MAX PANEL THICKNESS - 3.18

QUALIFICATION TEST PENDING

YELLOW	Ø 0.75	130°	1445537-04
NATURAL	Ø 1.5	115°	1445537-03
NATURAL	Ø 1.5	130°	1445537-02
YELLOW	Ø 0.75	115°	1445537-01
SEAL, WIRE ENTRY COLOR	Ø X REF	K REF	PART NUMBER

DIMENSIONS:		TOLERANCES UNLESS OTHERWISE SPECIFIED:		MATERIAL:		FINISH:		WEIGHT:		CUSTOMER DRAWING:	
mm	Ø	0 PLC	± .5								
		1 PLC	± 0.5								
		2 PLC	± 0.13								
		3 PLC	± 0.013								
		4 PLC	± 0.001								
		ANGLES	± .1								

DWN	S. WIEST	07MAY2001	Tyco Electronics Harrisburg, PA 17105-3608
CHK	G. DOUTY	07MAY2001	
APVD	H. WAKEEM	13JUN2003	NAME
PRODUCT SPEC			ASSEMBLY, RECEPTACLE, SIZE 8, 3 POSITION, PANEL MOUNT, MINI CPC
APPLICATION SPEC			
SIZE	CAGE CODE	DRAWING NO	RESTRICTED TO
A	00779	1445537	
SCALE			5:1
SHEET			1 OF 1
REV			B